

Features

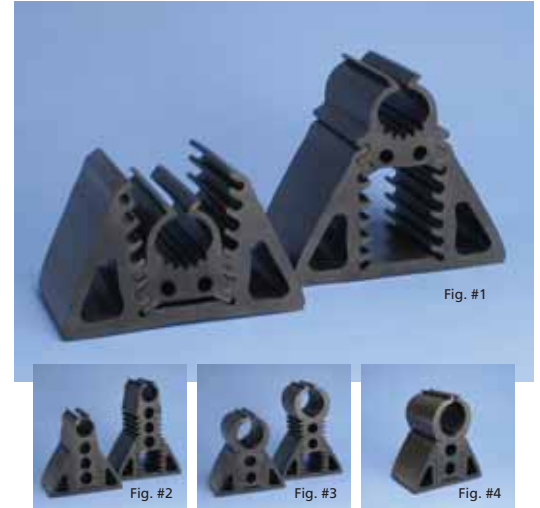
- Fast and easy installation compared to wood blocks and metal straps
- Quick height adjustment accommodates for uneven roofs or sloped condensate lines
- No tools or fasteners needed; simple snap-on installation
- Roof-friendly; made of UV-stabilized EPDM material
- Wide platform base provides stability and distributes load across roof surface
- Design sheds water and helps reduce pipe corrosion
- Patent pending



Rooftop Pipe Supports

CADDY® PYRAMID EZ Rubber-Based Supports

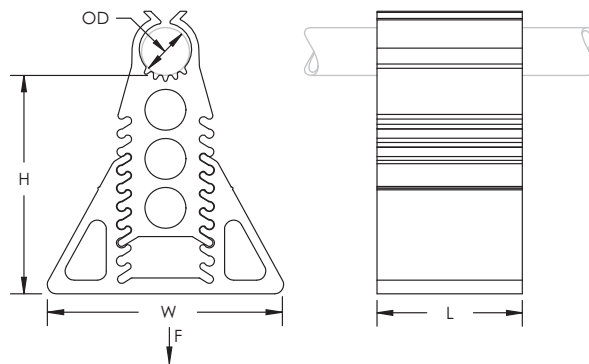
CADDY® PYRAMID EZ rubber-based supports feature a wide platform-base design to provide reliable support for up to 400 lbs. They are manufactured from a UV-stabilized, roof-friendly EPDM material for long-term weatherability. These versatile supports accommodate 1" to 4" pipe and can be easily adjusted to a range of heights from the roof surface. CADDY PYRAMID EZ rubber-based supports require no tools or fasteners for installation – they simply snap on to the pipe.



Material: EPDM-SBR Rubber

Part Number	Article Number	Fig. #	Pipe Size		Max. Pipe OD		Height		Length		Width		Ultimate Static Load (F)		Weight		Standard Packaging Quantity
			in	mm	in	mm	in	mm	in	mm	in	mm	lbs.	N	lbs	kg	
RPSE1H24	182365	1	1	25	1.315	33	1 3/4 - 4	45 - 102	4	102	6.0	152	170	756	2.00	0.90	20
RPSE1H57	182370	2	1	25	1.315	33	5 - 7	127 - 178	4	102	6.0	152	170	756	3.04	1.30	10
RPSE2H46	182375	3	2	50	2.370	60	4 - 6	102 - 152	4	102	6.0	152	250	1,112	3.30	1.50	10
RPSE4H46	182380	4	4	101	4.500	114	4 - 6	100 - 150	4	100	9.5	240	400	3,920	5.14	2.33	5

Ultimate load at 1/4" (6.35 mm) deflection. Contact project or roofing engineer for maximum allowable load on individual project roof system.



CADDY[®] PYRAMID EZ Rubber-Based Supports



WARNING
ERICO products shall be installed and used only as indicated in ERICO product instruction sheets and training materials. Instruction sheets are available at www.erico.com and from your ERICO customer service representative. Improper installation, misuse, misapplication or other failure to completely follow ERICO instructions and warnings may cause product malfunction, property damage, serious bodily injury and death.

Copyright ©2009, 2010, 2012 ERICO International Corporation. All rights reserved.
CADDY, CADWELD, CRITEC, ERICO, ERIFLEX, ERITECH, and LENTON are registered trademarks of ERICO International Corporation.