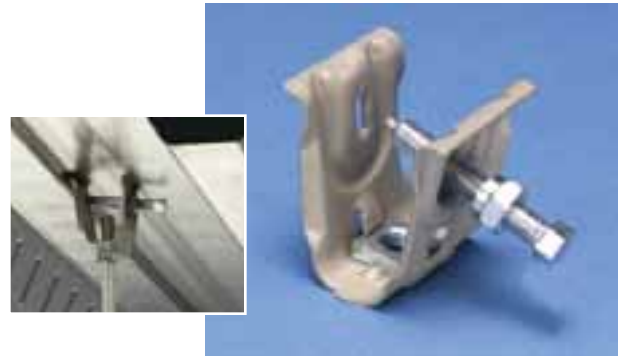


Features

- One part fits a variety of decking sizes; fewer decking fasteners needed in inventory
- One-piece design allows for simple snap-in installation
- Pre-assembled and ready to install
- Easy on-site handling even when wearing gloves
- Easy to adjust during installation
- Available with M6, M8, M10 threaded inserts
- Can be pre-mounted for added convenience
- Workload 1.5 kN with a 3:1 static load safety factor



Universal Decking Hanger (UDH)



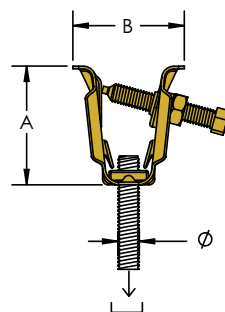
The Universal Decking Hanger (UDH) has been developed by ERICO to help improve the process of suspending loads by threaded rod from composite floor decking with re-entrant channels.

The UDH not only installs and adjusts within all re-entrant channels ranging from 34 mm – 60 mm wide, it also compensates for minor post-install variances of and between re-entrant channels. Simply click the UDH into the channel by hand and tighten and secure the setscrew. It can then be quickly and easily adjusted for final positioning. The UDH accommodates M6, M8 or M10 threaded rods, studs or screws.

The hanger is manufactured from high-grade spring steel and is coated with CADDY® ARMOUR, a superior corrosion protection system. The robust design can carry working loads up to 1.5 kN. The UDH is ideal for hanging pipework, ventilation, cable tray, trunking, channel section and trapeze brackets.

The UDH fits re-entrant channels from a variety of manufacturers, including:

- Kingspan® Structural Products Ltd: Multideck 60-V2, Multideck 80-V2
- Richard Lees Steel Decking Ltd: Ribdeck E60, Ribdeck 80, Ribdeck AL
- CMF® Composite Metal Flooring Ltd: MetFloor® 60, MetFloor® 80

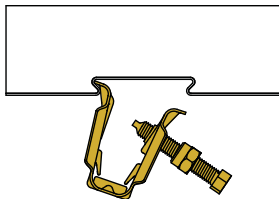


Article Number	Description	Ø	A (mm)	B (mm)	↓ (kN)
187302	UDHM6	M6	51	34 - 60	1.5
187303	UDHM8	M8	51	34 - 60	1.5
187304	UDHM10	M10	51	34 - 60	1.5

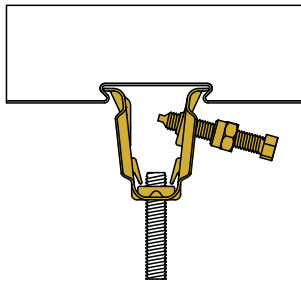
Universal Decking Hanger (UDH)



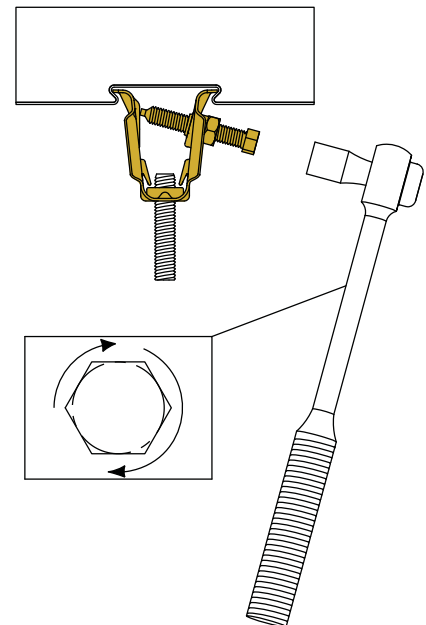
1 - Insert one flange



2 - Use your thumbs to push the other flange to snap into the dovetail



3 - Using a wrench, tighten the bolt so it contacts the inner face of the UDH. Then turn an additional 1 to 1-1/4 turns and secure the jam nut. When using a torque wrench the required torque is 6Nm.



CMF is a registered trademark of Studwelders Holdings Ltd.
Kingspan is a registered trademark of Kingspan Group PLC.

WARNING
ERICO products shall be installed and used only as indicated in ERICO's product instruction sheets and training materials. Instruction sheets are available at www.erico.com and from your ERICO customer service representative. Improper installation, misuse, misapplication or other failure to completely follow ERICO's instructions and warnings may cause product malfunction, property damage, serious bodily injury and death.

Copyright ©2010 ERICO International Corporation. All rights reserved.
CADDY, CADWELD, CRITEC, ERICO, ERIFLEX, ERITECH, and LENTON are registered trademarks of ERICO International Corporation.

Phone: (+44) 0808-2344-670
Fax: (+44) 0808-2344-676
www.erico.com

ERICO[®]
FM982S-WWEN DFM173LT10WWEN 10M0610