

Cadweld Aircraft Ground Receptacles & Tie-Downs



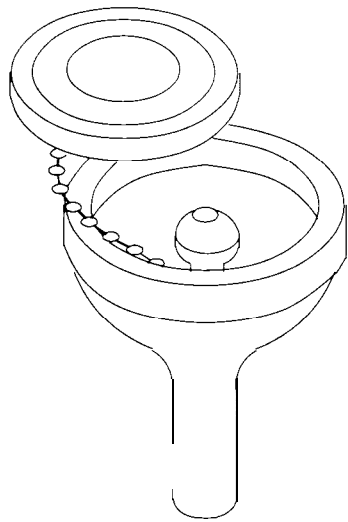
Features & Benefits:

- Copper Alloy Casting
- Ball and Post Styles Available
- Posts designed for easy Cadweld installation
- Factory made assemblies available
- Designed for flush mount with paved surface

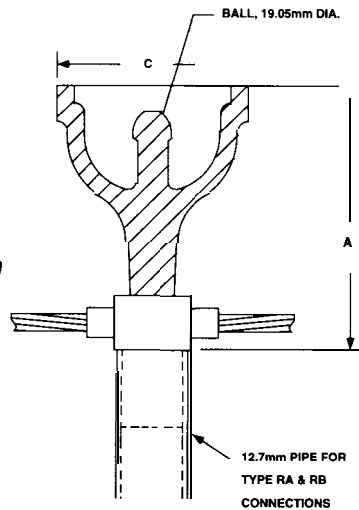
AIRCRAFT GROUNDING RECEPTACLES

B-165 and B-165R

The B-165 and B-165R Grounding Receptacles are copper alloy castings intended for use in static grounding systems of aircraft refueling areas. They are easily connected to the grounding system conductor and/or ground rods with CADWELD connections. Designed for simple installation flush with the paved surface. The attachment point (19.05mm ball) is an integral part of the casting on the B-165 and is removable on the B-165R.



B165/B165R



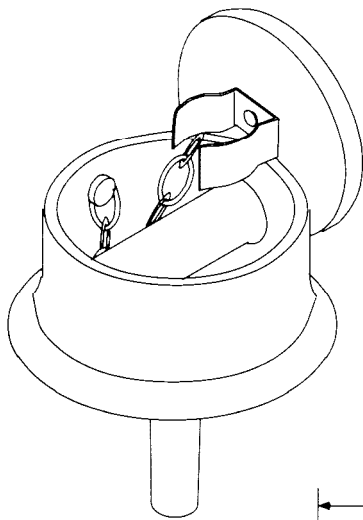
| RECEPTACLE | B-165 and B-165R |
|----------------------------------|-------------------------|
| Depth A, Grade Level to Support. | 114.3mm |
| Diameter C, at Grade Level | 69.85mm |

SPECIAL NOTE

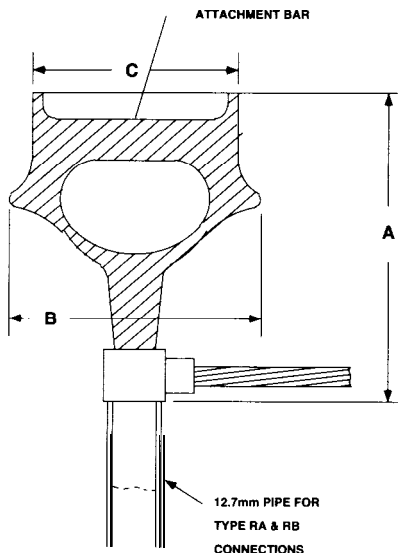
ERICO Aircraft Static Grounding Clamp B2617A can be used to connect to B-166 and B-167

B-166 and B-167

The B-166 and B-167 Combination Tie-down and Static Grounding Receptacles are copper alloy castings. They are easily connected to the grounding system conductor with CADWELD connections. Designed for simple installation flush with the paved surface. The attachment bar (19.05mm diameter on the B-166 and 38.1 mm on the B-167) is an integral part of the casting.



B166/B167



| RECEPTACLE | B-166 | B 1 6 7 |
|---------------------------------|--------------|----------------|
| Depth A, Grade Level to Support | 158.75 | 184.75 |
| Diameter B, Maximum Ring Size | 120.65 | 165.1 |
| Diameter C, at Grade Level | 8.425 | 120.65 |

For assemblies using B-166 and B-167, contact factory.